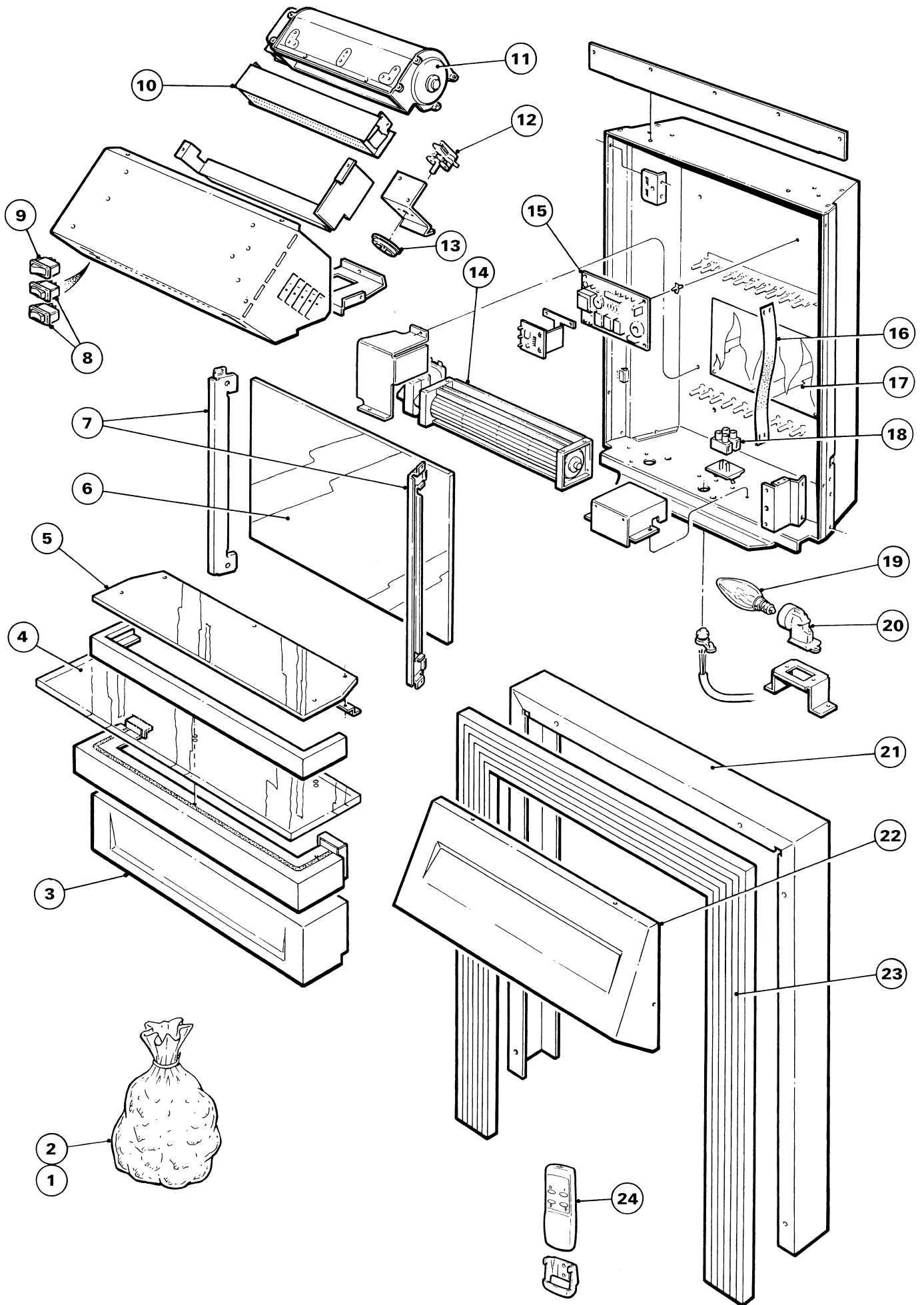


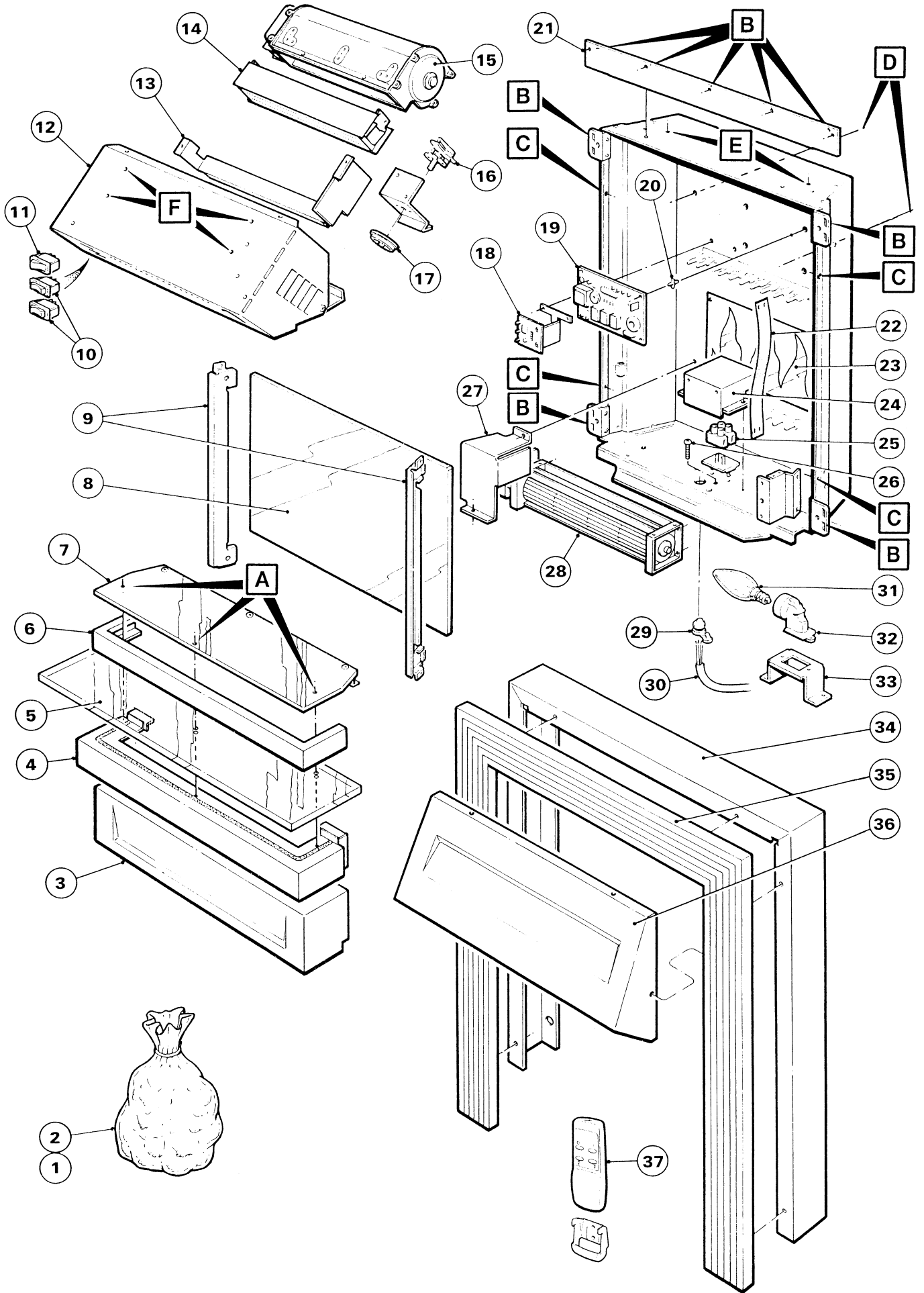
MICHIGAN MCN20



MICHIGAN MCN20

PARTS LIST**MICHIGAN MCN20**

ITEM	CAT NO	WATTS	VOLTS	DESCRIPTION	COLOUR	MODEL
1	FP04047			WHITE PEBBLE PACK		
2	FP9670			COAL PACK		
3	FP05043			LOWER BASE		
4	FP04042			BASE GLASS		
5	FP05044			SILVER BASE		
6	FP00008			GLASS		
7	FP01006			GLASS RETAINING BRACKET		
8	BF7211			SWITCH		
9	FP02035			HIGH INRUSH SWITCH		
10	FP03030			ELEMENT & CUT OUT ASSY		
11	FP03029			HEAT BLOWER MOTOR		
12	FP04022			THERMOSTAT		SER A
	BF9433			THERMOSTAT		SER B - ON
13	FP04040			THERMOSTAT KNOB		
14	FP00003			EFFECT BLOWER MOTOR		
15	FP04039			INFRA RED PCB		
16	FP01003			CLOTH FLAG		
17	FP00011			REFLECTOR		
18	BU9502			TERMINAL BLOCK		
19	FP9610			CANDLE LAMP		
20	FP9609			LAMPHOLDER		
21	FP04045			SPACER		
22	FP04044			CANOPY HOOD		
23	FP04041			SURROUND ASSY		
24	FP04046			ACCESORY PACK INC INFRA RED TRANSMITTER		
N/S	FP04043			FUEL EFFECT		
N/S	FP05045			FUEL EFFECT TRIM		



SERVICING AND DISMANTLING INSTRUCTIONS

ENSURE APPLIANCE IS DISCONNECTED FROM THE ELECTRICITY SUPPLY BEFORE DISMANTLING.
NOTE ALL CONNECTION DETAILS AND ROUTING OF LEADS BEFORE DISMANTLING.
ALWAYS REPLACE CABLE TIES ON RE-ASSEMBLY.

Numbers appearing in the text refer to those in the Illustrated parts list. Letters refer to locations.

CHAPTER 1. LAMP REPLACEMENT.

- 1.1. Remove Coal/Pebbles 1 or 2.
- 1.2. Remove Fuel effect 7 and Trim 6, secured by three long screws in pos'ns 'A', and set aside.
Remove Glass shelf 5 which is now not secured, and carefully set aside.
- 1.3. Unscrew and replace defective Lamp 31, with a 240V 60W E14 SES. Clear candle lamp.
- 1.4. Replace Glass shelf 5, ensuring fixing holes are aligned with those on lower Trim 4.
- 1.5. Replace Trim 6 and Fuel effect 7, ensuring three fixing holes in pos'ns 'A' are aligned with those in Glass shelf 5.
- 1.6. Replace Coal/Pebbles.

CHAPTER 2. MAINS CABLE.

- 2.1. Follow procedures 1.1. 1.2. and 1.3. in CHAPTER 1, removing both Lamps 31, to ensure easy access.
- 2.2. Lay Fire on its back on a soft surface. Remove the two screws securing Terminal cover box 24 from underneath the Chassis.
- 2.3. Disconnect the Live and Neutral leads from Terminal block 25 and the Earth lead from Earth screw 26.
- 2.4. Release Cable clamp arm on item 29, by squeezing barbs from inside the Chassis, and using a pair of Long-nosed pliers, squeeze the Cable clamp locking tab and withdraw Clamp 29, and Cable 30, from hole in Chassis.
NOTE On re-assembly, ensure wires are not trapped by Terminal cover box 24.

CHAPTER 3. FLAME EFFECT.

- 3.1. Follow procedures 1.1. 1.2. and 1.3. in CHAPTER 1, removing both lamps to ensure easy access.
- 3.2. From the rear, with Fire in upright pos'n, remove screws at pos'ns 'B' securing Surround 35 to Chassis. Carefully lift Surround clear of Chassis and lay to one side.
- 3.3. Lay Fire on its back on a soft surface and remove the two Glass retaining brackets 9, each secured by two screws outside the Chassis in pos'ns 'C', and lift Mirrored glass 8 clear. Carefully set aside, noting orientation.
- 3.4. Remove screw securing Motor guard 27, from underneath Chassis, stand Fire upright and remove screw securing Motor guard 27, from rear.
- 3.5. Remove Blower unit 28, secured by four screws from rear of Chassis.
NOTE Observe position of push-on terminals before disconnecting..
- 3.6. Cloth flags 22 hook onto supports at top and bottom, ensure they all hang freely.
NOTE Observe other Flags in situ and attach likewise.
- 3.7. Reflector 23 is secured to rear of Chassis by pop rivets. Drill out the rivets, and on re-assembly, replace with M3.2 – 6.5mm size rivets.
- 3.8. Re-assemble in reverse order, ensuring that no wires are trapped by Blower unit 28, or Motor guard 27.

CHAPTER 4. FAN HEATER & CONTROLS.

- 4.1. Follow procedures 1.1. and 1.2. in CHAPTER 1 and remove both Lamps to ensure easy access. Then follow procedures 3.2. and 3.3. in CHAPTER 3.
- 4.2. With the Fire upright, from the rear, remove two screws in pos'ns 'D' securing the Fan Heater/ Control Panel 12.
- 4.3. Lay the Fire on its back, on a soft surface, and remove the two screws in pos'ns 'E' securing the Fan Heater/ Control panel 12 to top of Chassis. It can now be lifted clear and laid to one side of the Chassis on a flat surface (there is sufficient length of cable to allow this).
- 4.4. Remove four screws in pos'ns 'F' and separate Element/Blower Unit, 14 and 15, from Control Panel 12.
NOTE On re-assembly ensure Element 14 is correctly located into Surround 13.
- 4.5. Element 14 (complete with thermal cut-out) is secured to Blower unit 15 by four screws.
- 4.6. Switches 10 and 11, are a push-fit into Control panel 12. To remove, compress clip at each end of switch body and withdraw forwards.
- 4.7. Thermostat 16, is secured by two screws which can be accessed by pulling off Control knob 17.
- 4.8. The Canopy hood 36, is secured by four screws to Surround 35. To remove, first carry out procedure 3.2 in CHAPTER 3.
- 4.9. LED indicator 18 is secured by two screws from rear of Chassis. Control Board 19 is located on Stand-off spacers 20. To remove, squeeze barbs together on spacers and pull board forwards.

AFTER SERVICING, IT IS RECOMMENDED THAT THE PRODUCT IS TESTED FOR INSULATION AND EARTH CONTINUITY, IN ACCORDANCE WITH RELEVANT LOCAL SAFETY REGULATIONS.